

Conceptual Building Design

Design Features:

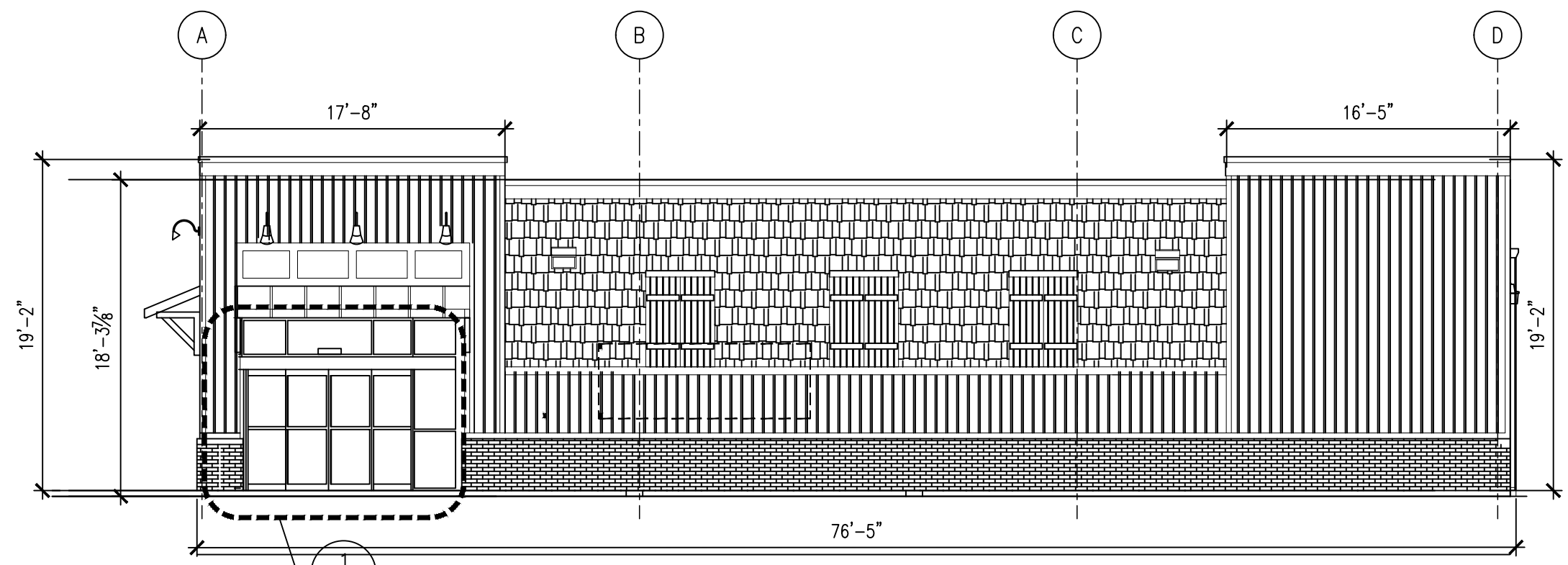
- Shake Shingle Siding
- Board and Batten Siding
- Decorative trim/millwork at Entrance
- Brick Panel
- Shutters
- Decorative Lighting Fixtures



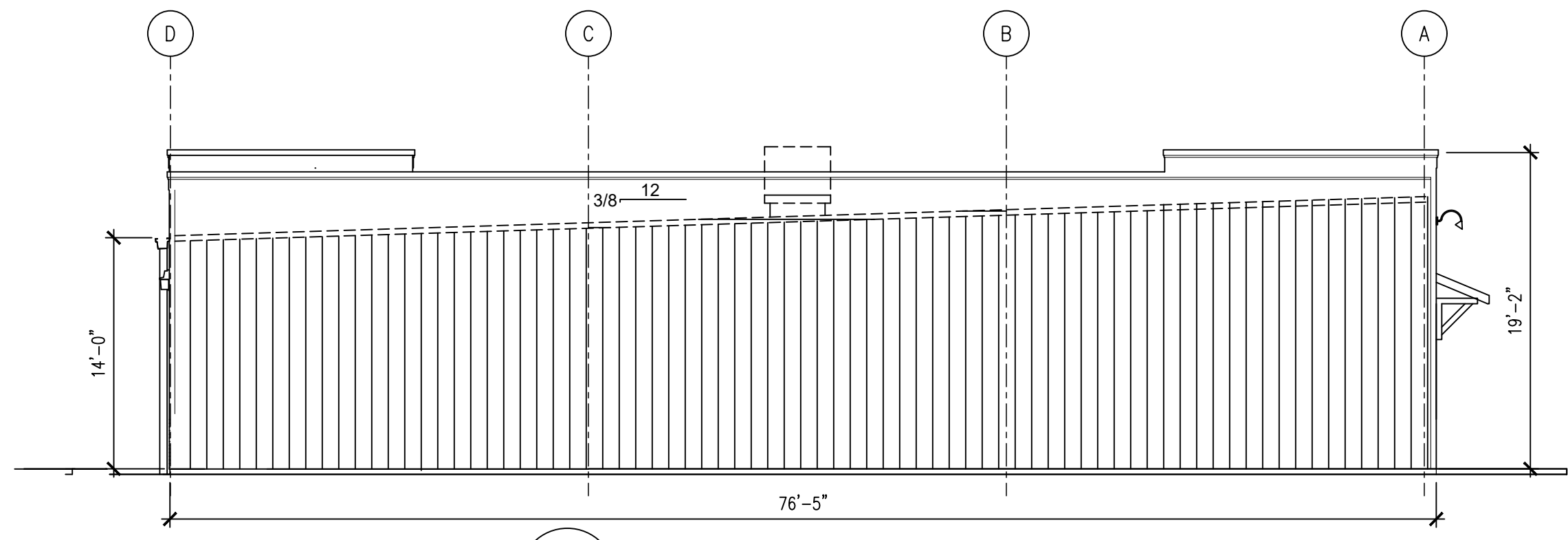
Conceptual Building Design



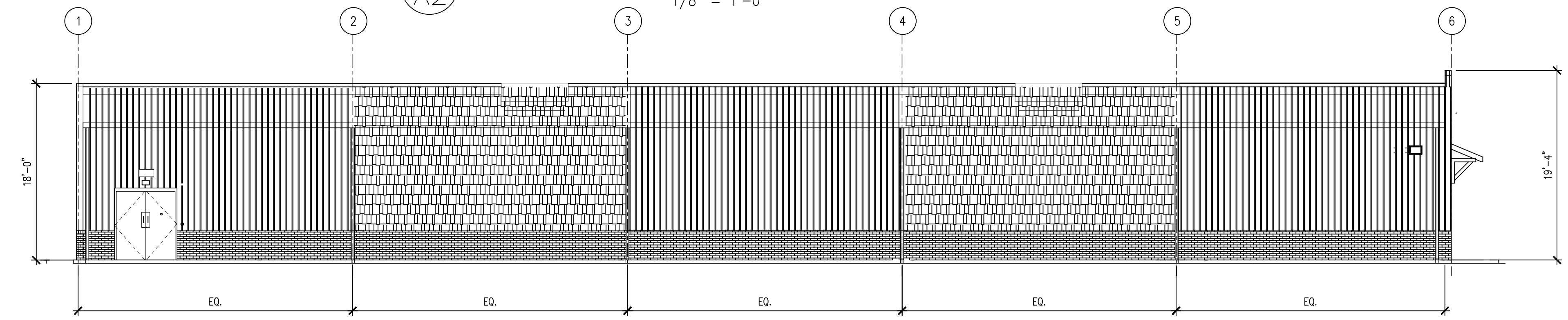
| FINISHES | BIG BEE STEEL BUILDINGS | | CHIEF BUILDINGS | | PREFERRED COLORS IF ALTERNATE EXTERIOR MATERIALS ARE USED INSTEAD OF METAL PANELS | |
|--|-------------------------|-----------------|---------------------|--------------|---|---------|
| | ATTN: KEVIN BUSLER | 800-633-3378 | ATTN: ERIN SULLIVAN | 800-845-1767 | | |
| EXTERIOR FINISHES ARE TO MATCH OR BE EQUAL TO VP METAL BUILDING SYSTEM'S FINISH SELECTION UNLESS AUTHORITY HAVING JURISDICTION DOES NOT ALLOW. | SANDSTONE | BURNISHED SLATE | BRONZE | POLAR WHITE | CAVALINE | PARQUET |
| GUTTERS | | | | | | |
| DOWN SPOUTS | | | | | | |
| REAR METAL WALL PANELS & TRIM, RECEIVING & EMERGENCY EXIT DOORS (EXTERIOR OF DOORS TO BE PAINTED, REFER TO DOOR SCHEDULE) | | | | | | |
| ARCHITECTURAL BLOCK AT BUILDING FACADE TO BE PRE-FINISHED OR PAINTED (2 COATS - LONOX XP MASONRY COATING AZ4040 SERIES) TO MATCH THE METAL WALL PANEL. | | | | | | |
| FLAT METAL SOFFIT AT STOREFRONT VESTIBULE. | | | | | | |
| BUILDING FASCIA WALL, PARAPET OVER ENTRANCE, AND CANOPY | | | | | | |
| STOREFRONT SYSTEM | | | | | | |
| STANDING SEAM METAL ROOF PANELS | | | | | | |
| INTERIOR SALES AND RECEIVING FLOOR LINER PANELS | | | | | | |



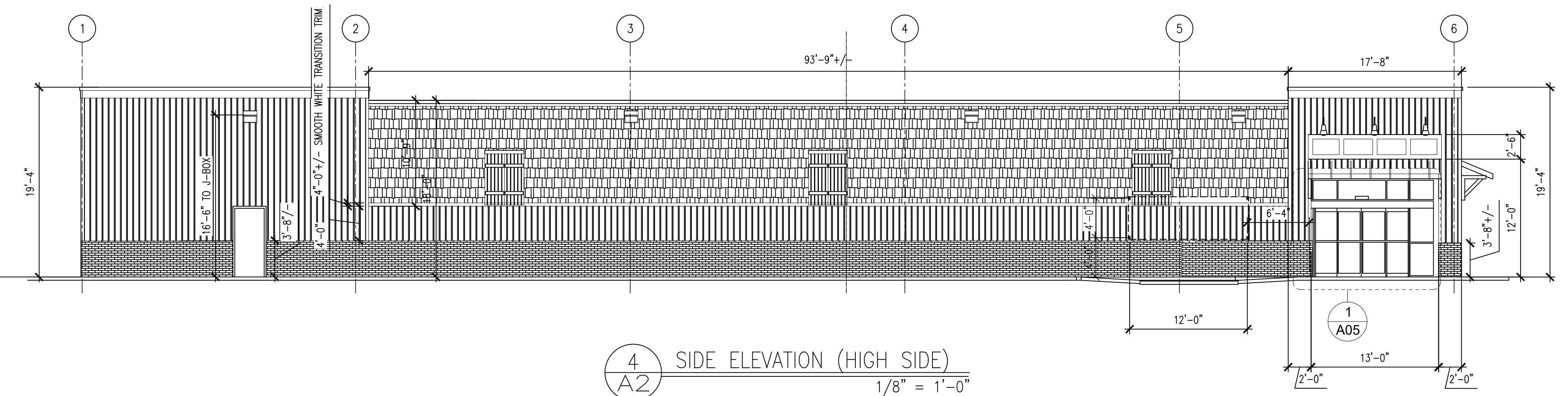
1 FRONT ELEVATION
A2 1/8" = 1'-0"



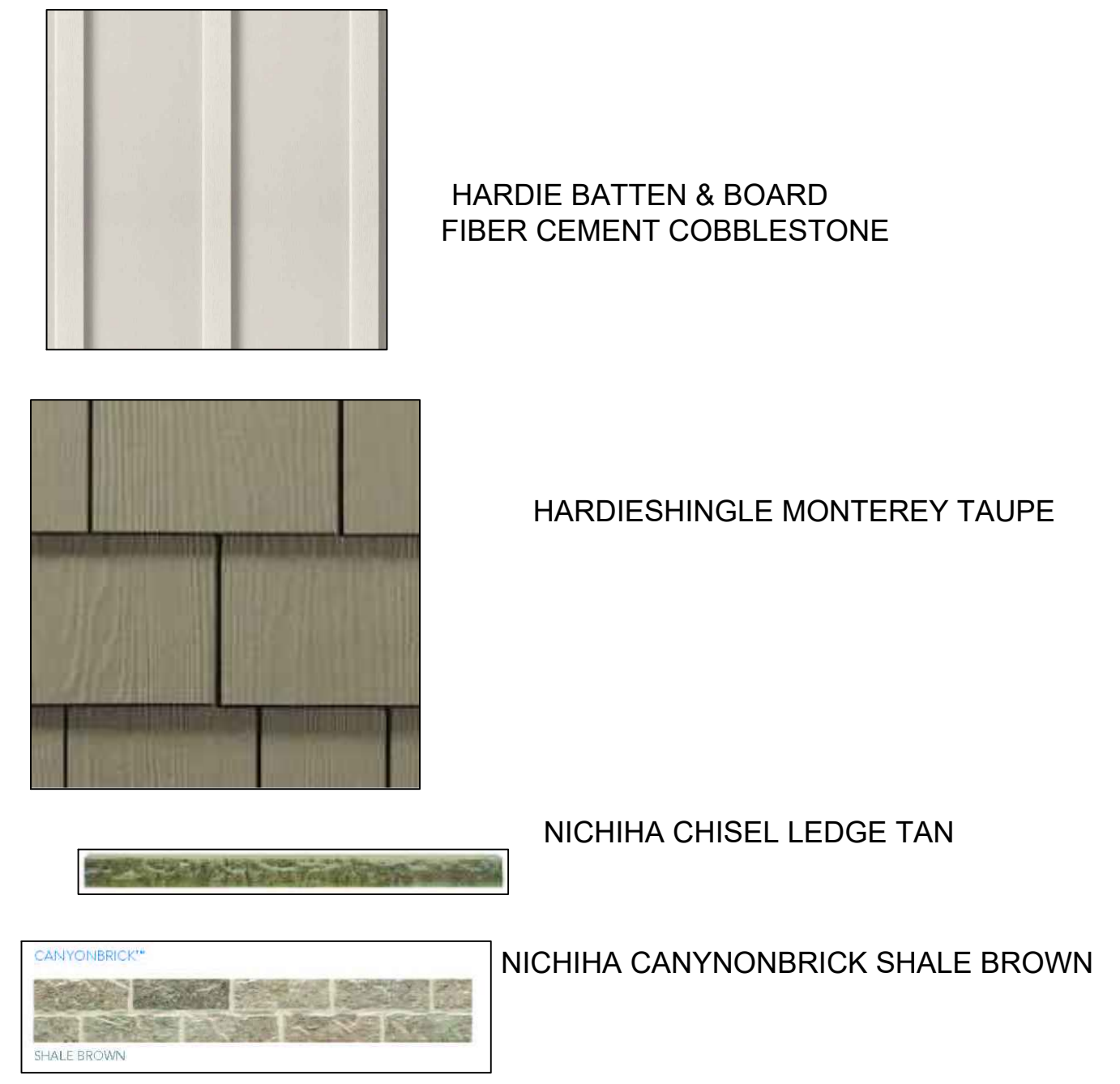
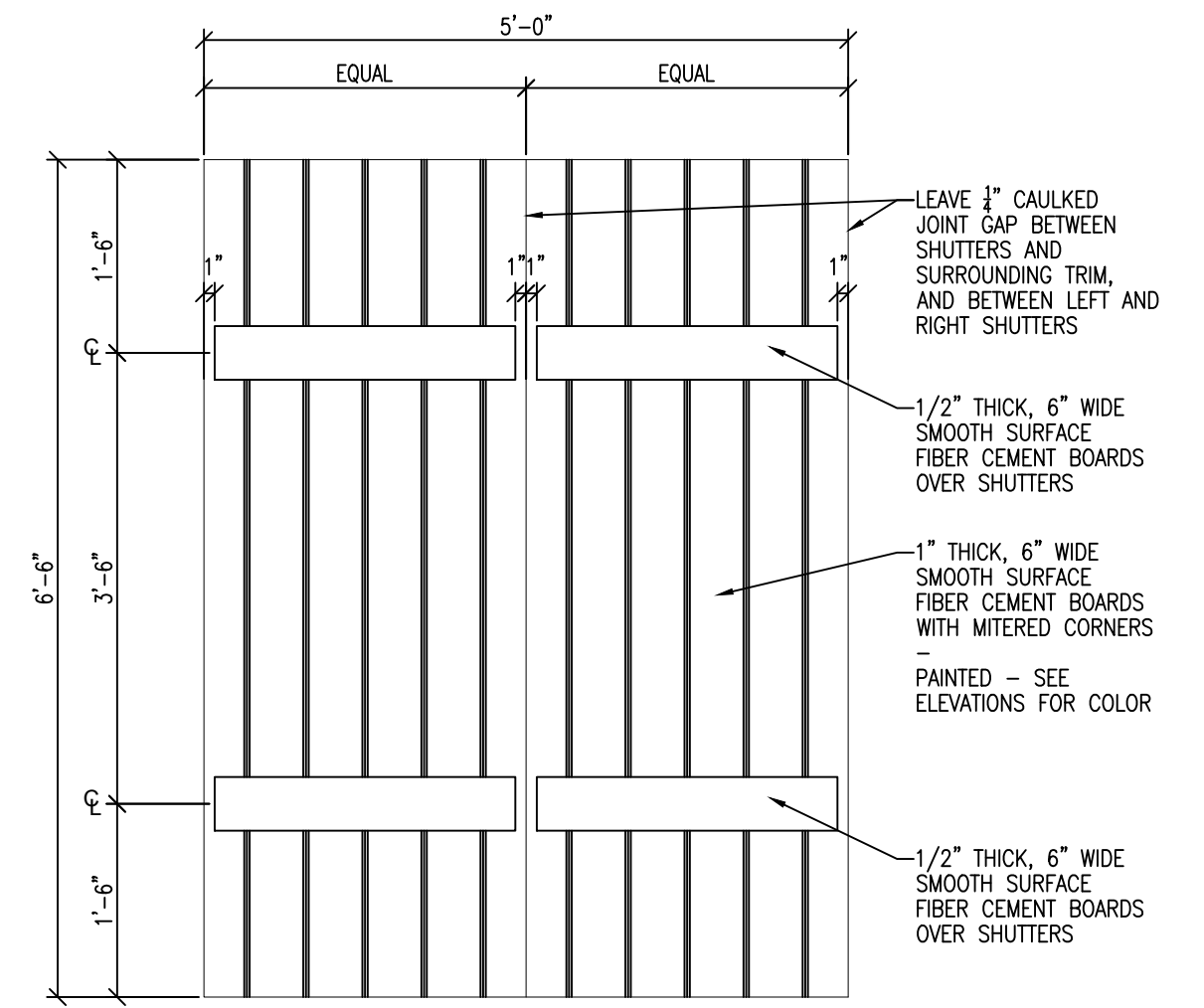
2 REAR ELEVATION
A2 1/8" = 1'-0"



3 SIDE ELEVATION (LOW SIDE)
A2 1/8" = 1'-0"



4 SIDE ELEVATION (HIGH SIDE)
A2 1/8" = 1'-0"



NEW RETAIL STORE
DGP21 VESTIBULE
STORE #23589
HAMBURG, NEW YORK

PROJECT: 42.09.2021
DRAWN: AWP
DATE: 9/24/2021

REVISIONS

SHEET TITLE
EXTERIOR ELEVATIONS

SHEET NO.

A2